

NordicFlow® Y-strainer (grooved)



Description

- Vertical or horizontal installation
- Easy to install and maintain
- Low pressure loss

Sizes: DN50 - DN200

Max. operating pressure: 21 Bar

Material specifications

1. Body: Cast Iron ASTM A 536

Surface treatment: FBE treated inside and outside
Color: Red RAL3000 or Blue RAL5015

2. Filter mesh: Stainless Steel 304

Red 2-8" (DN50-200): bore diameter 8,0 mm

Blue 2-3" (DN50-80): bore diameter 1,6 mm

Blue 4-8" (DN100-200): bore diameter 3,2 mm

3. Grooved coupling:

Body:

Material: Cast Iron ASTM A 536
Standard surface treatment: Hot-dip galvanized

Gasket:

Standard: Class "E" EPDM (green)
Temperaturer ange: -34°C - +110°C.

Bolt/nut:

Heat treated steel, galvanized ASTM B-633, carriage bolt ASTM A-183

4. Grooved end: Cast Iron ASTM A 536

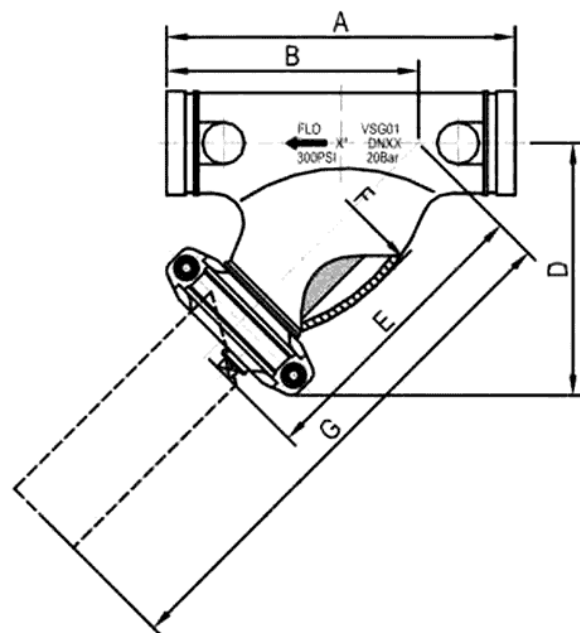
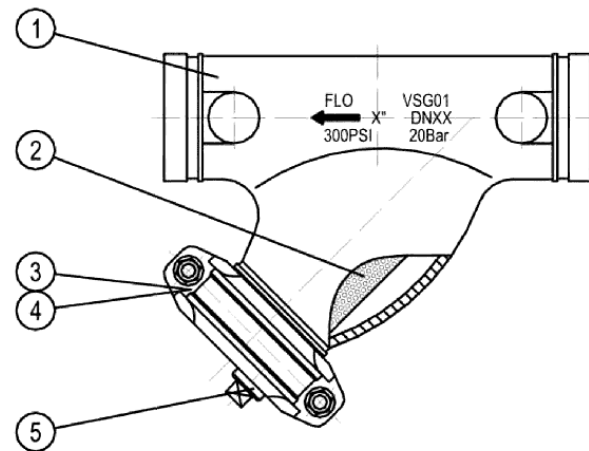
Standard surface treatment: Hot-dip galvanized

5. Plug: Puddled Iron ASTM A 197 / A 47

Standard surface treatment: Hot-Dip galvanized

General notes:

- Warning: Piping systems must always be depressurized and drained before attempting disassembly and/or removal of any components.
- Enexia Oy reserves the right to change this document without notice and without incurring in any obligations.



NordicFlow® Y-strainer (grooved)

Size table (red)

Product code	Size in inches (")	O.D. (mm)	DN (mm)	A (mm)	B (mm)	D (mm)	E (mm)	F (mm)	G (mm)	Plug (")	Weight (kg)
VSG01-60	2	50	60,3	248	178	178	217	89	345	½	4,5
VSG01-76	2½	65	76,1	273	197	200	237	105	382	½	6,4
VSG01-89	3	80	88,9	299	216	216	258	121	413	¼	9,1
VSG01-114	4	100	114,3	362	267	276	323	159	541	1	14,5
VSG01-168	6	150	168,3	470	356	353	408	235	676	1¼	32,7
VSG01-219	8	200	219,1	610	457	451	516	315	866	1½	56,7

Size table (blue)

Product code	Size in inches (")	O.D. (mm)	DN (mm)	A (mm)	B (mm)	D (mm)	E (mm)	F (mm)	G (mm)	Plug (")	Weight (kg)
VSG01-60-B	2	50	60,3	248	178	178	217	89	345	½	4,5
VSG01-76-B	2½	65	76,1	273	197	200	237	105	382	½	6,4
VSG01-89-B	3	80	88,9	299	216	216	258	121	413	¼	9,1
VSG01-114-B	4	100	114,3	362	267	276	323	159	541	1	14,5
VSG01-168-B	6	150	168,3	470	356	353	408	235	676	1¼	32,7
VSG01-219-B	8	200	219,1	610	457	451	516	315	866	1½	56,7

General notes:

- Warning: Piping systems must always be depressurized and drained before attempting disassembly and/or removal of any components.
- Enexia Oy reserves the right to change this document without notice and without incurring in any obligations.

NordicFlow® Y-strainer (grooved)

Flow Data

Scheme Cv calculations

$$\Delta P = \frac{Q^2}{C_v^2}$$

Q = Flow (GPM – Gallons/minute)

ΔP = Pressure loss in the valve (PSI)

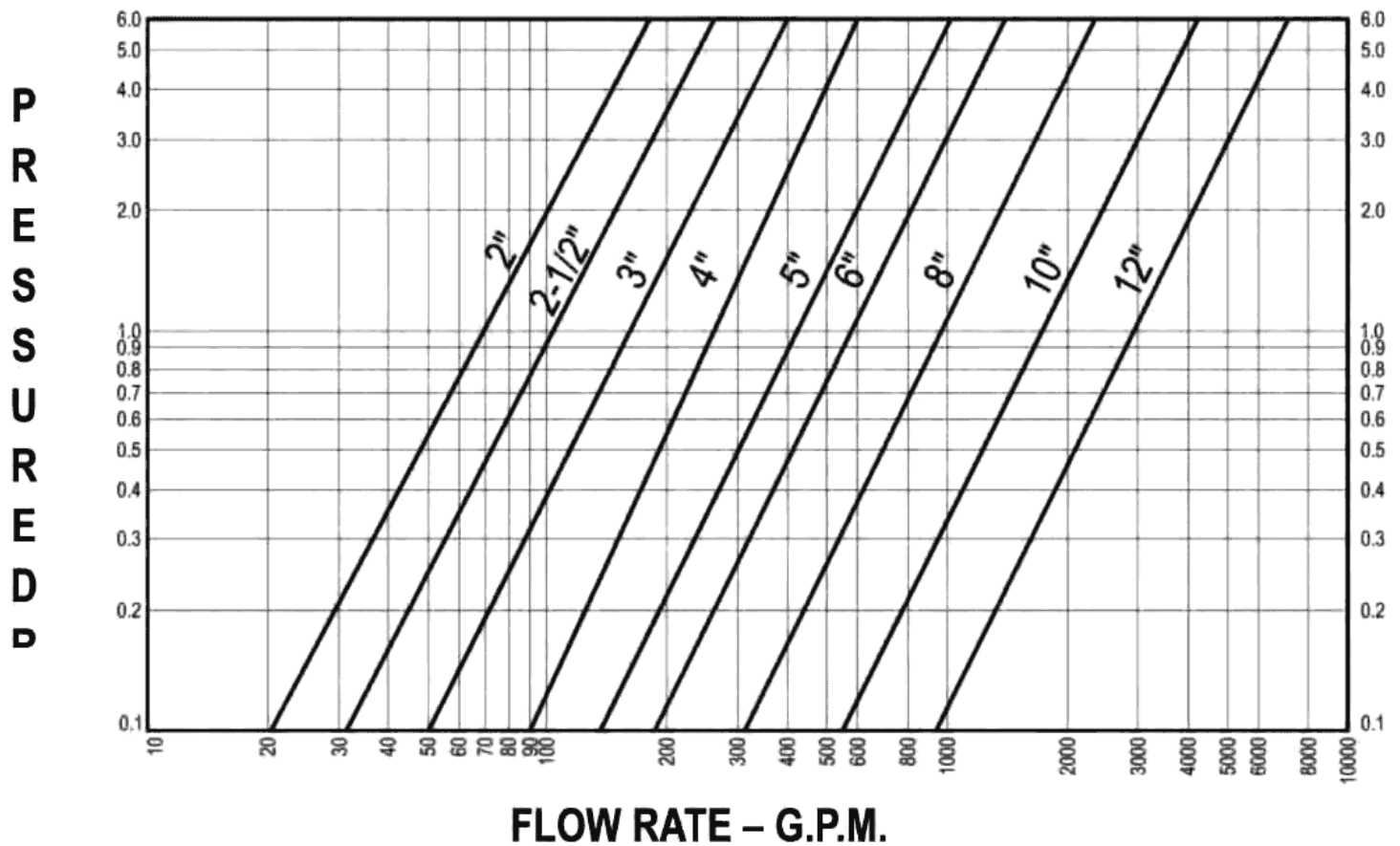
C_v = Flow coefficient

$$Q = C_v \times \sqrt{\Delta P}$$

1 GPM = 3,78541 LPM (liter/minute)

1 PSI = 0,0689 Bar

Pressure Drop - PSI



General notes:

- Warning: Piping systems must always be depressurized and drained before attempting disassembly and/or removal of any components.
- Enexia Oy reserves the right to change this document without notice and without incurring in any obligations.