

Description

The **FIRE KILL™** OH-S36 is a spanner created for the correct installation of the OH-nozzles.



Design and Installation

The **FIRE KILL™** OH-S36 is an installation tool for the OH-automatic nozzle series and should be used for nozzle installations in walls and ceilings.

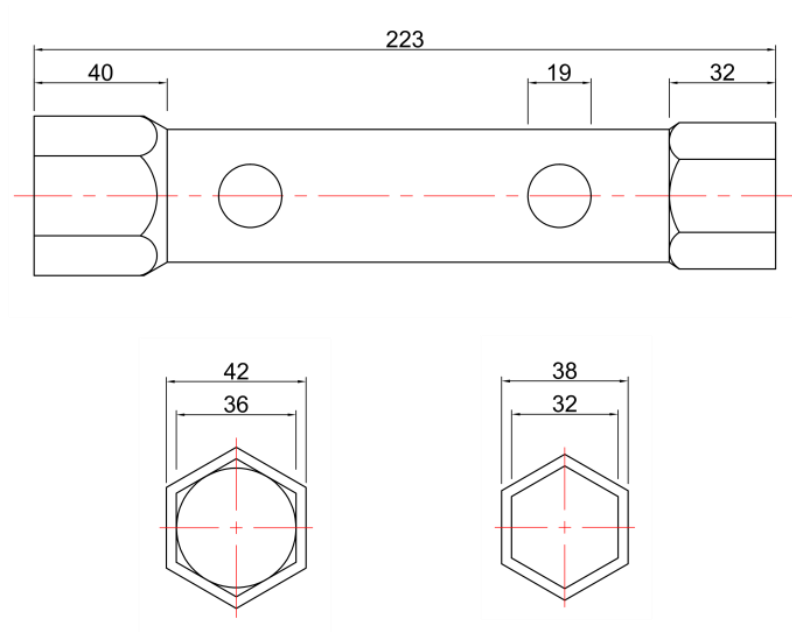
Under installation an OH-nozzle should be placed into the larger end of the spanner, with the glass bulb pointing into the spanner and the thread of the nozzle pointing away from the spanner. The nozzle is then screwed into the pipe system until the engraved installation mark is flush with the ceiling or wall. The nozzle is now in the correct position and the installation hole can be hidden with an OH-R-T rosette.

The OH-S36 installation spanner has been fitted with an installation groove, which gives an indication of how far into the ceiling or wall the nozzle should be installed.

Technical data

General Description	
Material	DIN 2391/ C35 Chrome Plate
Weight	0,55 Kg

Dimension



Contact

For further information on **FIRE KILL™** products, please contact our sales department at Sales@vidaps.dk