



Model GL 112 Quick Response Upright and Pendent Sprinklers

Quick Response Sprinklers (SIN R3226) Upright (Sin R3216) Pendent

Features

The Reliable Model GL 112 QR sprinkler offers the opportunity for:

1. Compliance with FM requirements for QR Sprinklers to be used in Racks. The GL 112 Upright uses the D-7 guard/shield. The GL 112 Pendent can be used with the D-8 guard or the D-9 guard/shield. See Bulletin 208.
2. Also for use as a ceiling sprinkler per FM Data Sheets 8-9.
3. Pipe size reduction.
4. Increasing densities with existing systems.
5. Intended for use as a "Quick Response" storage sprinkler in hydraulic designed systems with a minimum pressure of 7 psi (0.5 bar) in accordance with the area density curves of NFPA 13 applications.
6. K- Factor = 11.2 (160)

Listings & Approvals:

Approved by Factory Mutual (FM) as a storage sprinkler.

Product Description

The Reliable Model GL 112 Quick Response sprinkler utilizes a levered fusible alloy solder link in 165°F (74°C), 212°F (100°C). The sprinkler has been designed to control high challenge fires in both palletized and rack storage occupancies, utilizing relatively low water pressures. This sprinkler is available with the standard 3/4" NPT (R3/4) thread for new installation.

It has been proven in full scale fire testing, has complied with the applicable mechanical and hydraulic sections of the latest sprinklers standard, and has Factory Mutual Approval.

This product is intended for use as a "Quick Response" storage sprinkler in hydraulic designed systems with a minimum pressure of 7 psi (0.5 bar) in accordance with the area density curves of NFPA 13* standards.

Design Criteria

The following criteria apply when designing an automatic sprinkler system utilizing the Model GL 112 QR sprinkler for NFPA 13* applications.



Model GL 112 QR Upright 3/4" NPT



Model GL 112 QR Pendent 3/4" NPT

- Sprinkler spacing shall be a minimum of 6 ft. (1.8m)
- Sprinkler discharge pressure for NFPA 13* standard and all Factory Mutual (FM) applications shall be a minimum of 7 psi (0.5 bar).
- Factory Mutual (FM) Loss Prevention Data Sheets contain requirements which differ from NFPA. The Model GL 112 is Approved by Factory Mutual for installations governed by Data Sheets 8-9 and 2-0.

The Model GL 112 QR sprinkler is intended for standard flow. Pressure requirements and standard placement as specified for NFPA storage requirements. The Model GL 112 QR sprinkler is not a "Large Drop" or "ESFR" sprinkler.

Temperature Ratings

Classification	Sprinkler Rating		Maximum Ambient Temperature		Frame Color
	°F	°C	°F	°C	
Ordinary	165	74	100	38	Uncolored White
Intermediate	212	100	150	66	

* For sprinkler standards prior to 1999 edition of NFPA 13, use NFPA standards 231, 231C, 231D & 231F.

Finishes

Standard Finishes

Bronze

Reliable's Model GL 112 QR sprinkler must be installed according to NFPA Standards or the appropriate Factory Mutual Loss Prevention Data Sheets for all area/density methods of design as well as the Authority Having Jurisdiction.

* For sprinkler standards prior to 1999 edition of NFPA 13, use NFPA standards 231, 231C, 231D & 231F.

Model H Sprinkler



Note: Sprinklers should be tightened between 14-20 ft/lbs (19-27,1 N·m) torque. Sprinklers not tightened to recommended torque may

cause leakage or impairment of the sprinklers. Damage sprinklers must be replaced immediately.

Maintenance

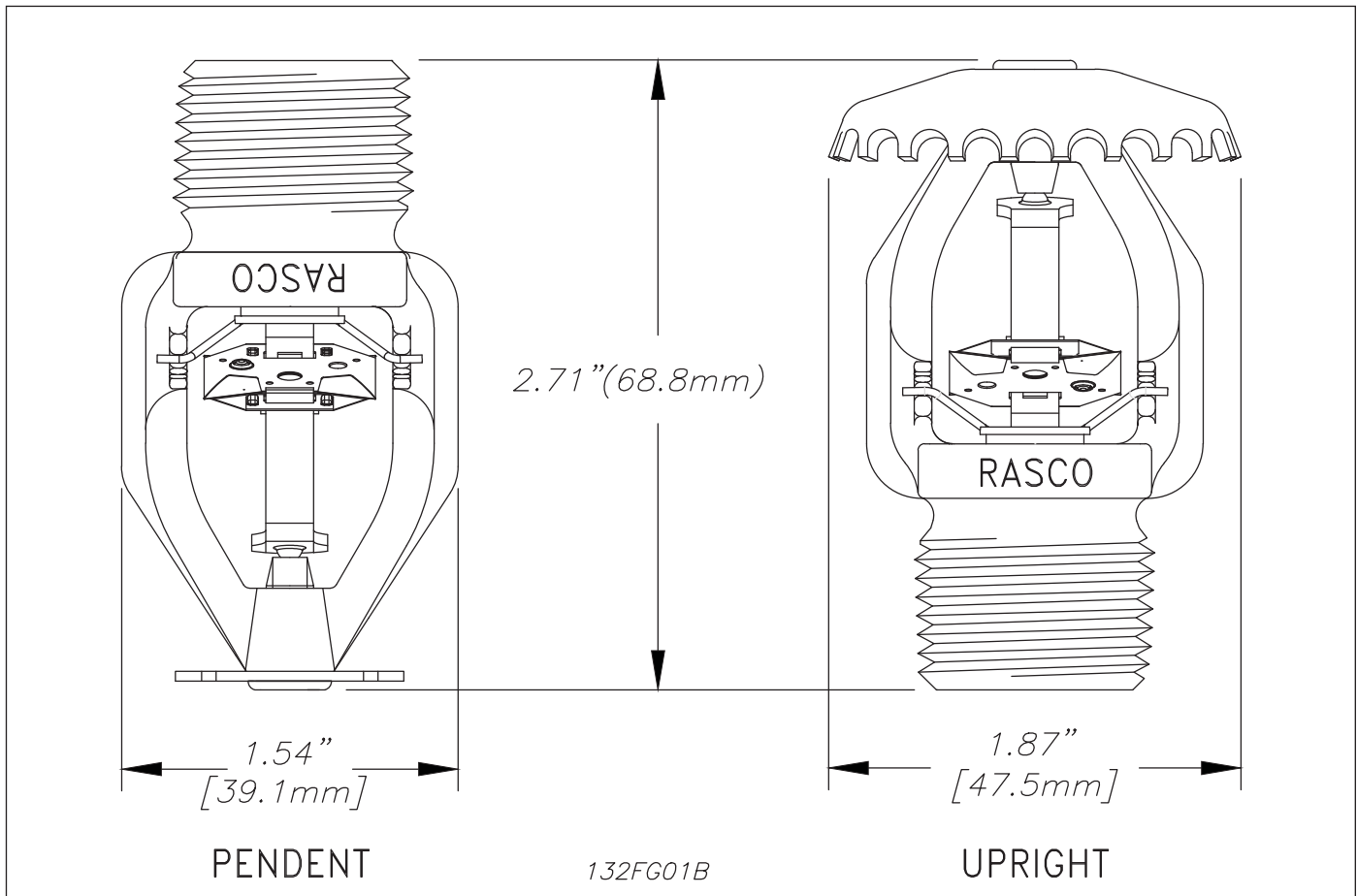
Model GL 112 QR Sprinklers should be inspected and the sprinkler system maintained in accordance with NFPA 25. Do not clean sprinklers with soap and water, ammonia or any other cleaning fluids. Remove dust by using a soft brush or gentle vacuuming. Remove any sprinkler which has been painted (other than factory applied) or damaged in any way. A stock of spare sprinklers should be maintained to allow quick replacement of damaged or operated sprinklers. Prior to installation, sprinklers should be maintained in the original cartons and packaging until used to minimize the potential for damage to sprinklers that would cause improper operation or non-operation.

Ordering Information

Specify:

1. Sprinkler Model
2. Temperature Rating
3. Finishes

Use only the Model H sprinkler wrench for sprinkler removal and installation. Any other type of wrench may damage the sprinkler.



The equipment presented in this bulletin is to be installed in accordance with the latest published Standards of the National Fire Protection Association, Factory Mutual Research Corporation, or other similar organizations and also with the provisions of governmental codes or ordinances whenever applicable.

Products manufactured and distributed by Reliable have been protecting life and property for over 90 years, and are installed and serviced by the most highly qualified and reputable sprinkler contractors located throughout the United States, Canada and foreign countries.

Manufactured by

Reliable®

The Reliable Automatic Sprinkler Co., Inc.

(800) 431-1588

(800) 848-6051

(914) 829-2042

www.reliablesprinkler.com

Sales Offices

Sales Fax

Corporate Offices

Internet Address



Recycled Paper

Revision lines indicate updated or new data.

EG. Printed in U.S.A. 05/14

P/N 9999970422