

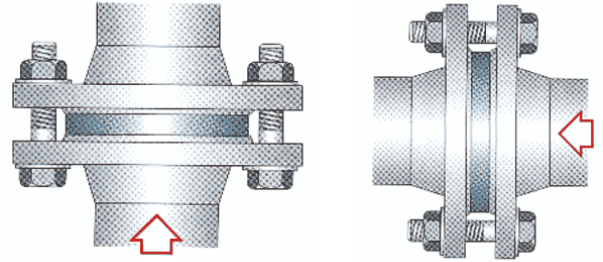
## NordicFlow® Wafer Swing Check Valves



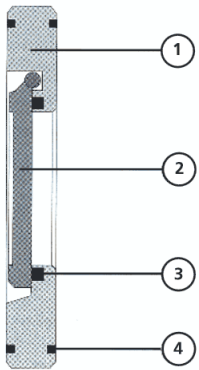
### Description

NordicFlow wafer swing check valve is most suitable to be used at places where as low pressure loss as possible is needed. Limited space demand and low weight make the valve easy to operate.

**Sizes:** DN65 - DN250  
**Pressure class:** PN16

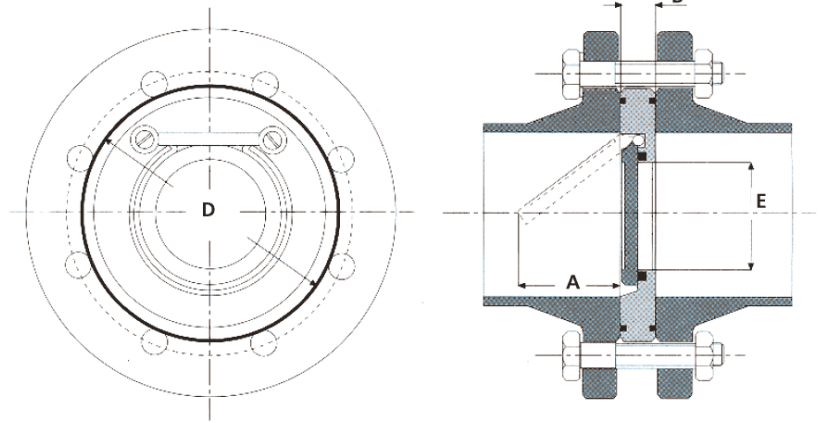


### Material Data



1. Steel / Zinc-plated steel
2. Stainless steel AISI 316
3. Nitrile\* (-30 - + 100°C)
4. Nitrile\* (-30 - + 100°C)

\*Available also: EPDM, PTFE or VITON



### Technical Specifications

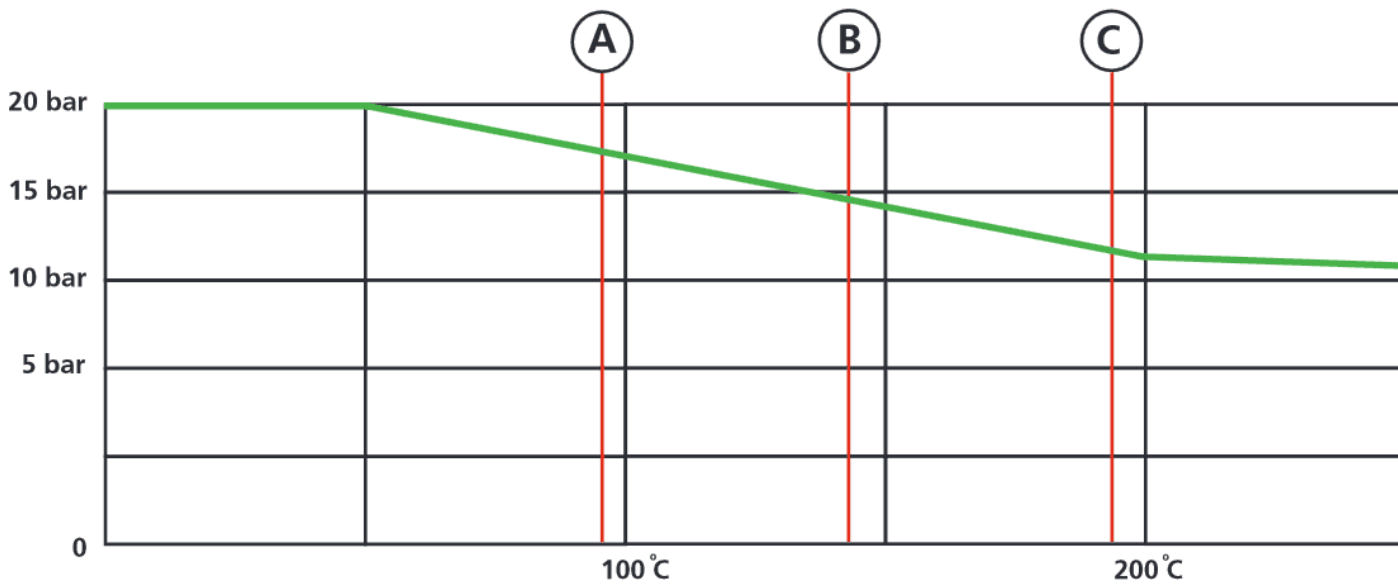
Product Code	Size (")	O.D. (mm)	DN (mm)	A (mm)	D (mm)	E (mm)	B (mm)	Weight (kg)
TI-LAPPA-65	2½	76,1	65	48	129	40	14	1,2
TI-LAPPA-80	3	88,9	80	60	144	54	14	1,5
TI-LAPPA-100	4	114,3	100	78	164	70	18	2,4
TI-LAPPA-150	6	168,3	150	117	220	112	20	4,6
TI-LAPPA-200	8	219,1	200	160	275	154	22	7,5
TI-LAPPA-250	10	273,3	250	200	332	200	26	13

Note:

- Enexia Oy reserves the right to change specifications, designs and/or equipment without notice and without incurring in any obligations.

## NordicFlow<sup>®</sup> Wafer Swing Check Valves

### Pressure and Temperature Diagram



**(A)** Nitril - Tmax= 95 C    **(B)** EPDM - Tmax= 140 C    **(C)** PTFE - Tmax= 180 C

Note:

- Enexia Oy reserves the right to change specifications, designs and/or equipment without notice and without incurring in any obligations.