

NordicFlow® Butterfly valve with supervisory switch (threaded)



Description

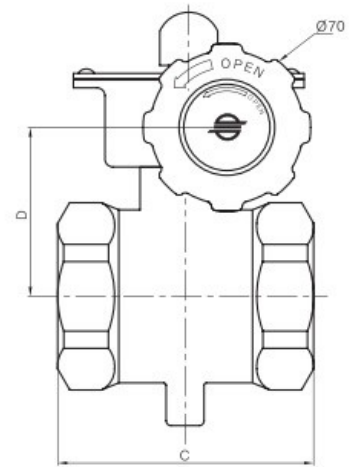
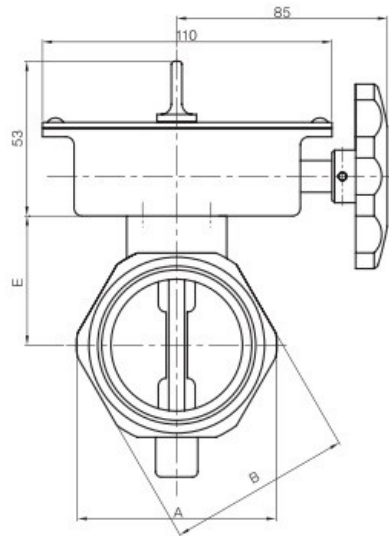
- Size:** DN32-DN50 (1¼"-2")
 - Operating pressure:** 12,1 Bar
 - Max. test pressure:** 24,1 Bar
 - Max. operating temp:** 120 °C
- Factory Installed Tampered Switch for Indoor Use Only

Material specifications

- Body:** Brass, Bronze
- Disc:** Brass, Ductile, EPDM-encapsulated
- Stem:** Stainless steel, hardened and tempered

Approvals

UL and FM for indoor use



Dimensions

Product code	Size (")	Size (DN)	A	B	C	D	E	Weight (kg)
GSP-TRE-32	1¼"	32	53,2	49	67	56	41	1,7
GSP-TRE-40	1½"	40	58,5	56	73	59	44	1,8
GSP-TRE-50	2"	50	76	70	82,4	64	49	2,1

A-E all measures in mm

General notes:

- Warning: Piping systems must always be depressurized and drained before attempting disassembly and/or removal of any components.
- Enexia Oy reserves the right to change this document without notice and without incurring in any obligations.